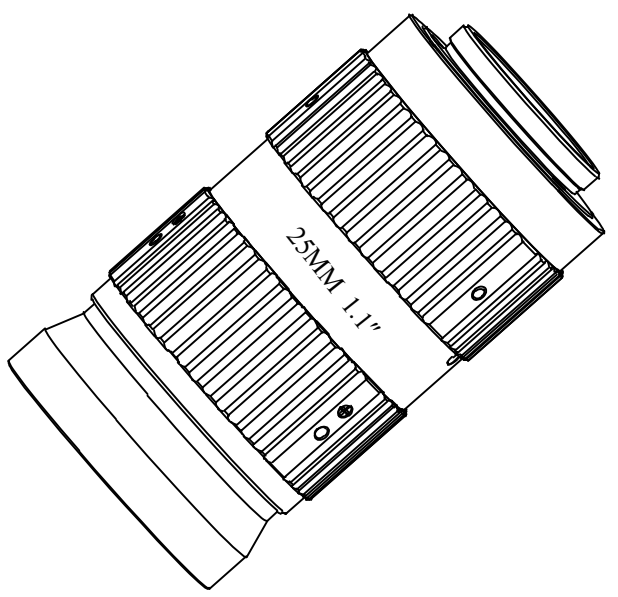
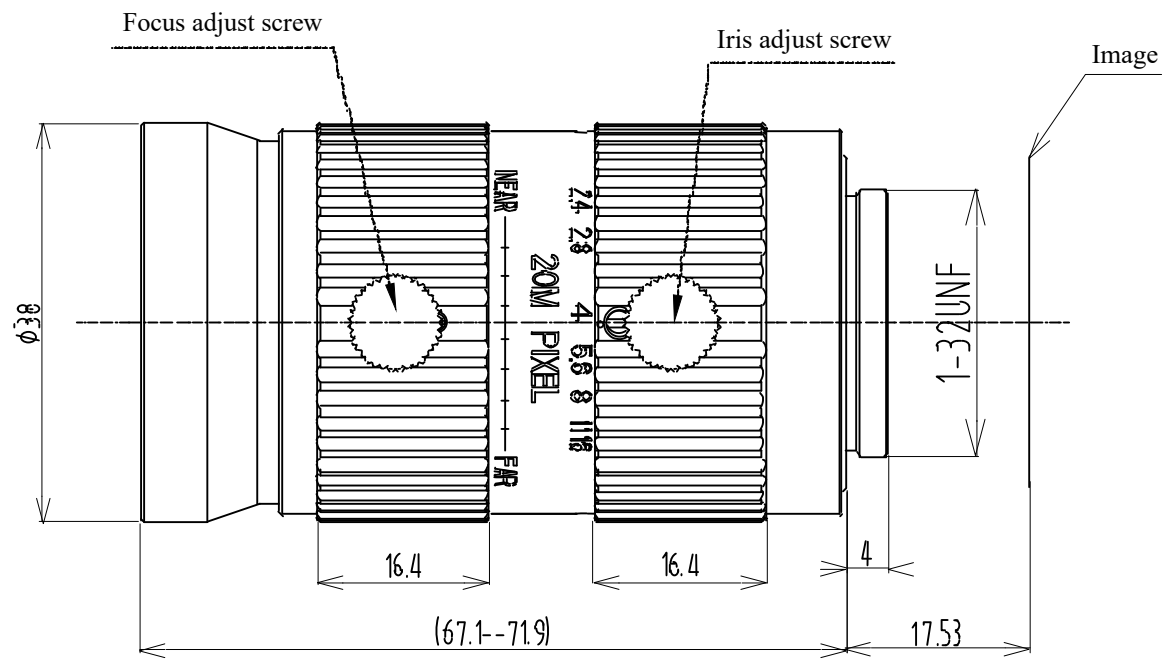


1.1" F2.4/25MM/20MEGA/C-MOUNT

FOCAL LENGTH	f=25MM
F.NO	F=1:2.4~16
FOCUS DISTANCE	0.1M
FLANGE BACK	17.526MM IN AIR
BACK FOCUS	34
FILTER SCREW SIZE	M35.5*P0.5
MOUNT	C
REL.ILLUMINATION	≥70%

Front/Rear Effective Dia	Front Φ34.2 Rear Φ16.2			
FIELD OF VIEW	SENSOR	1.1"	1"	2/3"
	D	37.3°	34.1°	23.9°
	H	30.3°	27.7°	19.2°
	V	23.1°	18.4°	14.5°
TV DISTORTION	<0.2%	<0.15%	<0.1%	

WORKING DISTANCE	OPTICAL MAGNIFICATION	1.1" FIELD OF VIEW	
		H	V
MM	D		
5000	0.005X	2779.97	2084.98
2000	0.013X	1118.64	838.98
1000	0.025X	564.79	423.59
900	0.028X	509.4	382.04
800	0.031X	453.997	340.497
700	0.035X	398.591	298.944
600	0.041X	343.177	257.383
500	0.049X	287.749	215.812
400	0.061X	232.299	174.224
350	0.069X	204.56	153.42
300	0.08X	176.807	132.605
250	0.095X	149.033	111.775
200	0.116X	121.227	90.92
150	0.151X	93.364	70.023
100	0.216X	65.39	49.05



WORKING TEMPERATURE -40°C~80°C	150	0.151X	93.364	70.023
STORAGE TEMPERATURE -40°C~85°C	100	0.216X	65.39	49.05

Common Tolerance		④					
Angle	±0.5°	③					
0.000	±0.01	②					
0.00	±0.03	①					
0.0	±0.05	Rev	Description	Name	Date		
0	±0.1		Design	Examine	Checked	Approved	

Model		3RD ANGLE PROJ	
Unit	mm		
Scale	2:1		
Ver	00		
Date	2018.09.18		

SBS-2524-20MP

vision solution