

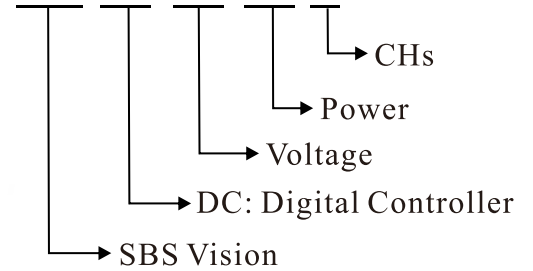


## Products Features

- ▶ Control the Light remote by integrating with software.
- ▶ Each channel can be controlled individually, controlled by hands, another is controlled by RS232 or Ethernet.
- ▶ Provide RS232 or Ethernet communication and 0-999 intensity level; With over current and short protection.
- ▶ The trigger function is from outsourcing signal to turn on or off the light; It can be switched to constant on or off.
- ▶ Adopt opto isolator for outsourcing trigger to provide stable and accuracy signal.

## Model Description

SBS-DC-XX-XX-X



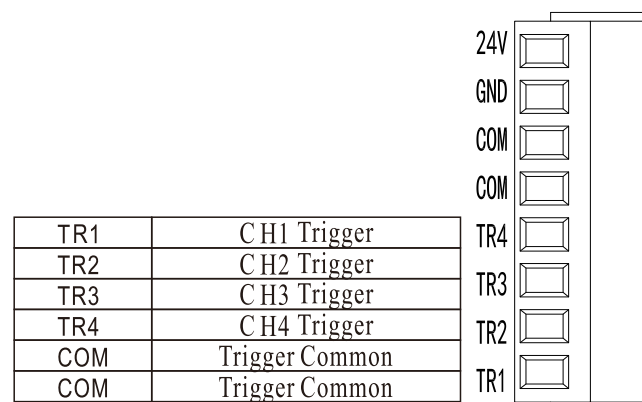
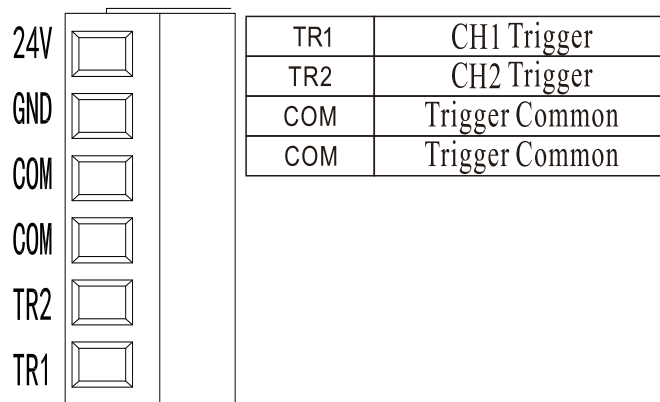
## Parameter

Model Item	SBS-DC24-36-2	SBS-DC24-64-4	SBS-DC24-124-4
Output way	constant voltage		
Intensity adjust	PWM control		
Input voltage	AC100-240V 50/60HZ		
Channels	2	4	4
Output current	1.5A (Single CH max 1A)	2.5A (Single CH max 1.5A)	5A (Single CH max 1.5A)
Output power	36W	64W	124W
Output connector	SM 03V-BC (pin 1 is +, pin 3 is -)		
Trigger voltage input	12V-24V (current is 5.6mA)		
Trigger delay	Less than 50us		
Usage environment	temperature: 0-40°C humidity: 20-85% RH (not frozen)		
Storage environment	temperature: -20-60°C humidity: 20-85% RH (not frozen)		
Cooling way	Nature cooling	Nature cooling	Fan system cooling

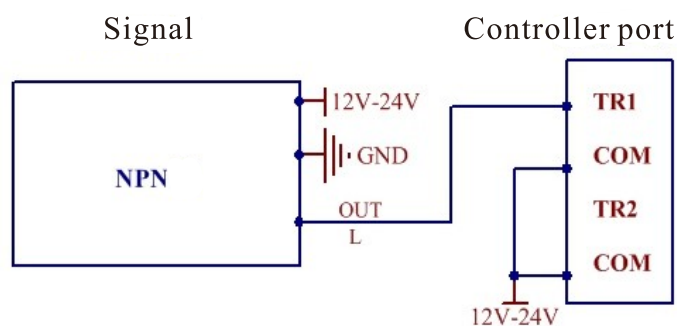
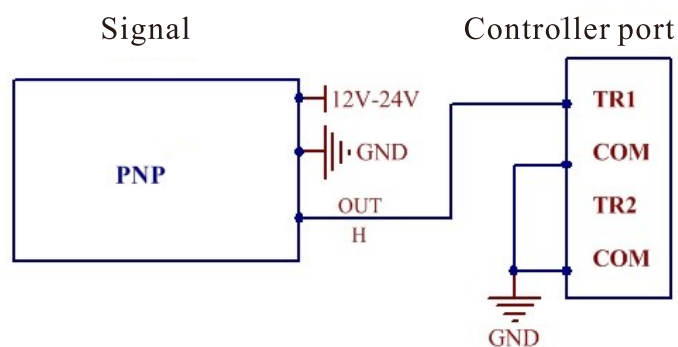
## Trigger Connectors

SBS-DC24-36-2

SBS-DC24-64-4/SBS-DC24-124-4

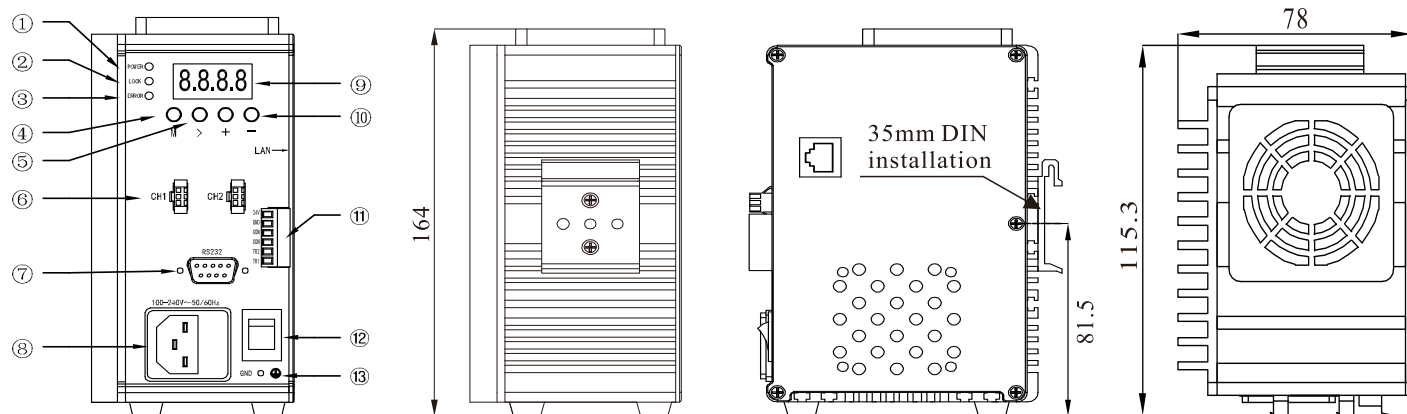


## Trigger Wiring



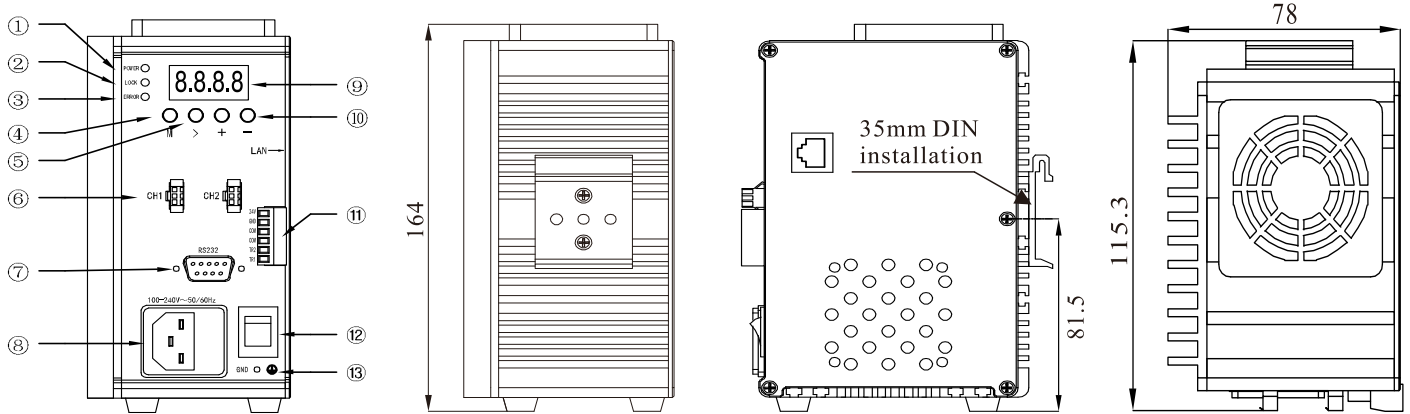
## Dimensions(mm)

SBS-DC24-36-2



- |   |   |
|---|---|
| ① | Power indicator (the LED is green when it is input power)   |
| ② | Lock indicator (the LED is blue, when the set is locked)  |
| ③ | Wrong indicator (the LED is red when something is wrong)  |
| ④ | M key select the channels (it is used to select the channels or continuous on and continuous off)   |
| ⑤ | Output connector (from channel 1 to channel 2, pin one is plus, pin 3 is minus)   |
| ⑦ | Serial port (connect with PC, the related pin is pin2, pin3 and pin5)   |
| ⑧ | AC power input ( input 100-240VAC)  |
| ⑨ | Chanel and intensity display (the first number shows the channel number and on or off status, the second to fourth show the 000-999 levels intensity) |
| ⑩ | Intensity adjust key: + is increase the intensity; - is decrease the intensity  |
| ⑪ | Outsourcing trigger connector (COM is the trigger connector, it can be input plus or minus, TR1 to TR2 is related with CH1 to CH2)                    |
| ⑫ | Power bottom  |
| ⑬ | FG connector is for ground  |

SBS-DC24-64-4/SBS-DC24-124-4



①	Power indicator (the LED is green when it is input power)
②	Lock indicator (the LED is blue, when the set is locked)
③	Wrong indicator (the LED is red when something is wrong)
④	M key select the channels (it is used to select the channels or continuous on and continuous off)
⑤	Output connector (from channel 1 to channel 4, pin one is plus, pin 3 is minus)
⑦	Serial port (connect with PC, the related pin is pin2, pin3 and pin5)
⑧	AC power input (input 100-240VAC)
⑨	Chanel and intensity display (the first number shows the channel number and on or off status, the second to fourth show the 000-999 levels intensity)
⑩	Intensity adjust key: + is increase the intensity; - is decrease the intensity
⑪	Outsourcing trigger connector (COM is the trigger connector, it can be input plus or minus, TR1 to TR4 is related with CH1 to CH4)
⑫	Power bottom
⑬	FG connector is for ground