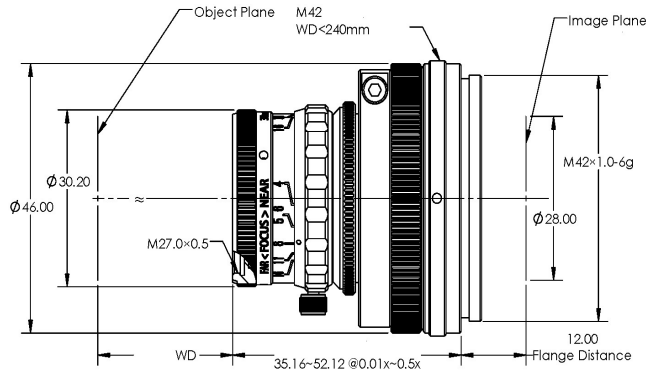


SBS-XS354-M42/M42x0.1



Technical Specifications

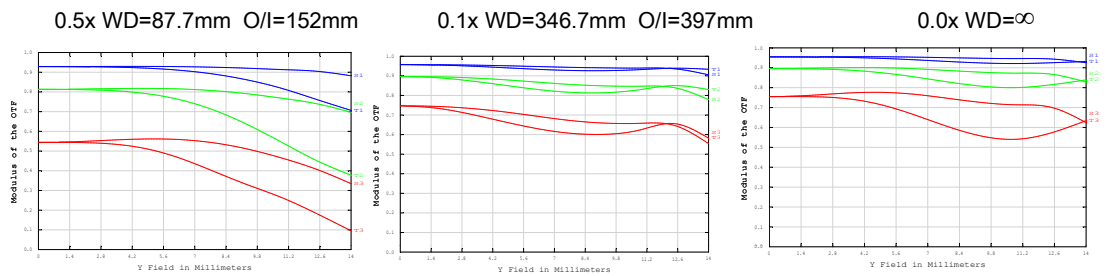
Focal Length	35mm
FNO	4.0 ~ 16
Image Circle	28.0mm
Magnification	0.01x~0.5x
Transmission	400nm ~ 700nm
Mount	M42x1.0
Weight	81.5g

MTF with reference to image height for visible spectrum

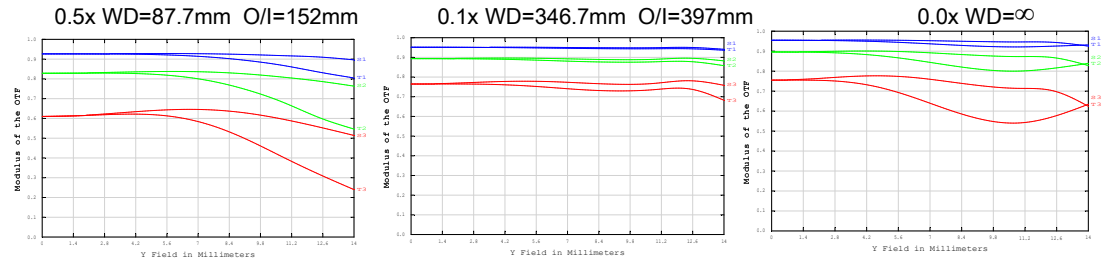
Wavelength λ [nm]:	656	587	546	486	435
Spectral weighting [%]:	15	20	30	25	10
Spatial frequency R [1/mm]:	10	20	40		
Image circle [mm]:	28				

— 10
— 20
— 40

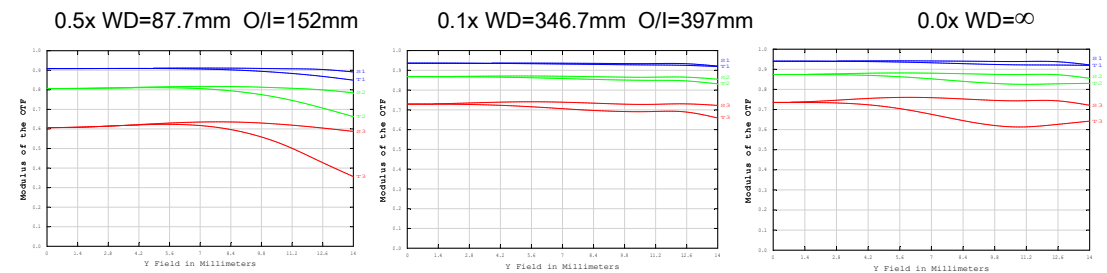
F4.0



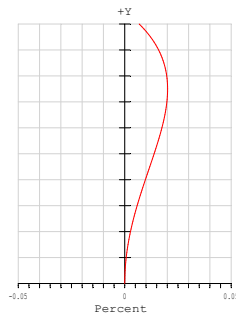
F5.6



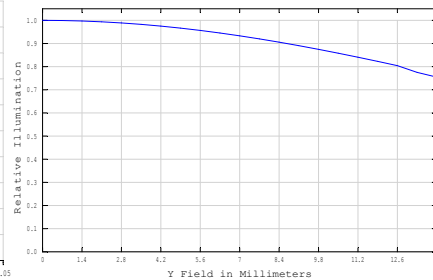
F8.0



Distortion



Relative Illumination @ F4.0



4K7um			
Mag.	WD (mm)	FOV(mm)	Lens Length(mm)
0.5	88	56	52.12
0.4	105.5	70	48.67
0.3	134.7	93.3	45.22
0.2	193	140	41.76
0.1	368.3	280	38.29
0.08	455.5	350	37.59
0.05	718	560	36.55
0.02	1768	1400	35.50
0.01	3518	2800	35.16

2K7um			
Mag.	WD (mm)	FOV(mm)	Lens Length(mm)
0.5	88	28	52.12
0.4	105.5	35	48.67
0.3	134.7	46.7	45.22
0.2	193	70	41.76
0.1	368.3	140	38.29
0.08	455.5	175	37.59
0.05	718	280	36.55
0.02	1768	700	35.50
0.01	3518	1400	35.16