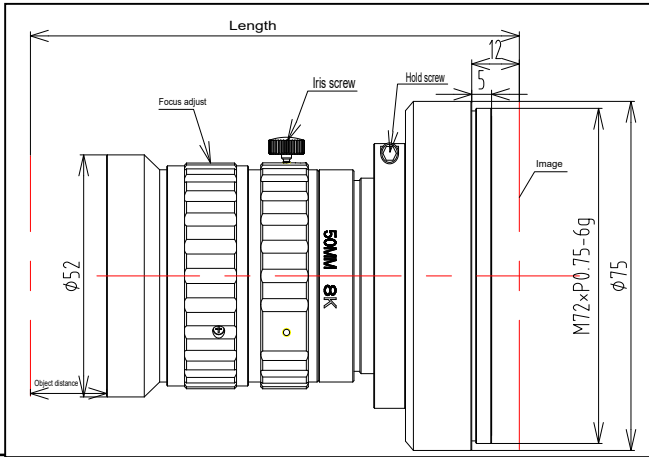


SBS-XS5082-M72/M7x0.75



Technical Specifications

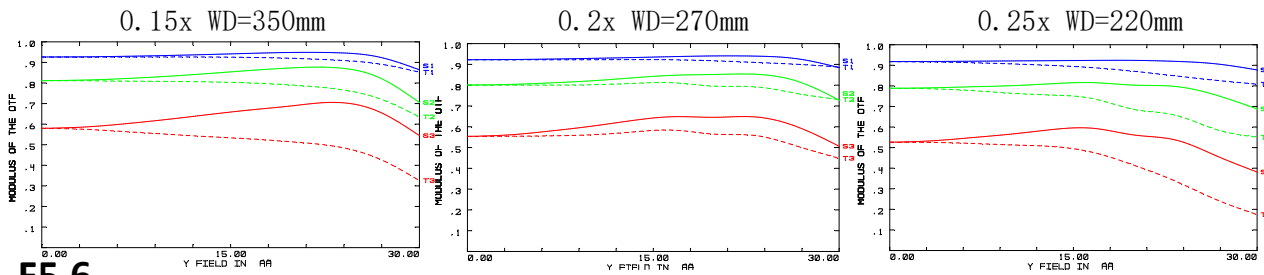
Focal Length	50mm
FNO	4 ~ 22
Image Circle	60mm
Magnification	0.15x~0.25x
Transmission	400~700nm
Mount	M72 x 0.75

MTF with reference to image height for visible spectrum

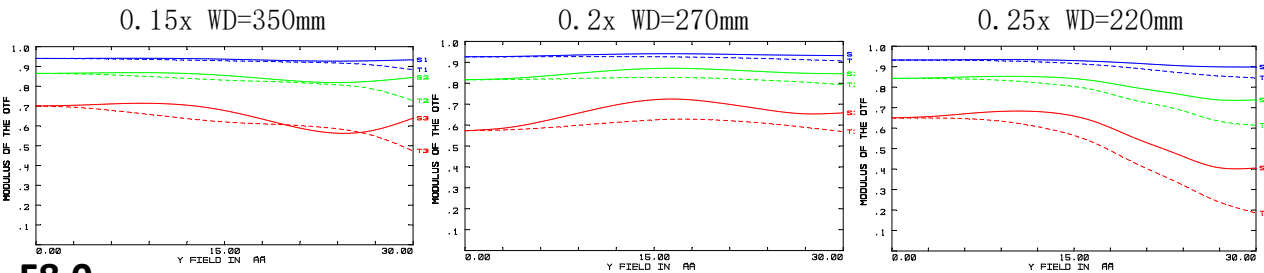
Wavelength λ	656	587	546	486	435
Spectral weighting	15	20	30	25	10
Spatial frequency R [1/m]	10	20	40		
Image circle	60				

- 10
- 20
- 40

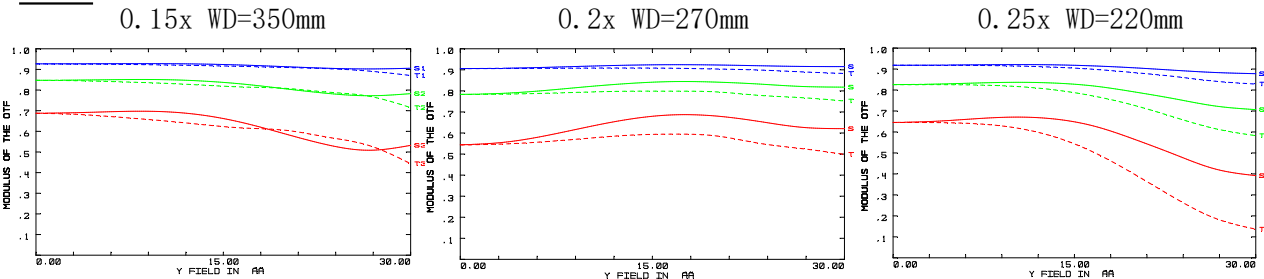
F4.0



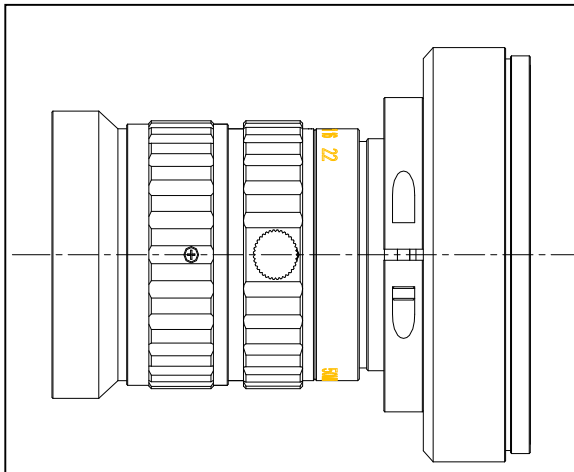
F5.6



F8.0

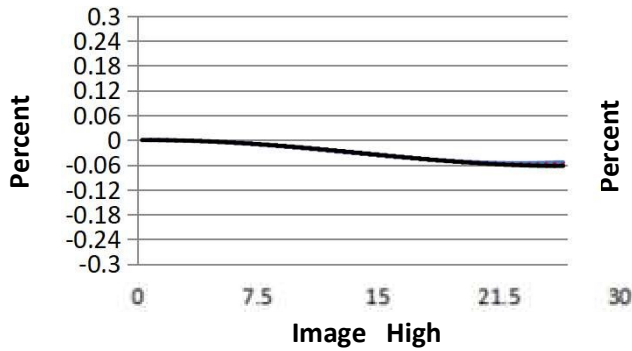


SBS-XS5082-M72/M7x0.75

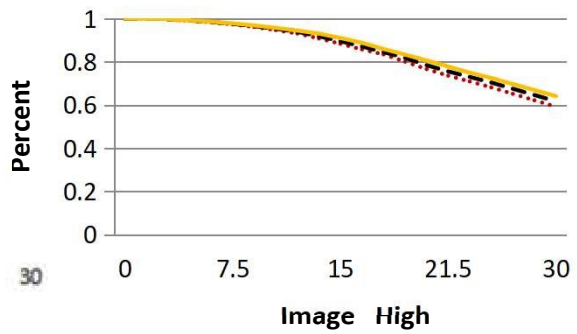


- 0.15x
- - - 0.2x
- 0.25x

Distortion



Relative Illumination



Mag.	I/O	WD	Lens length	Dia 43.27 FOV	Dia 57 FOV	Dia 60 FOV
0.15x	458.6	350	108.6	289	380	400
0.16x	442	333	109	270	356	375
0.17x	424.5	315	109.5	255	335	353
0.18x	408	298	110	240	317	333
0.19x	393.5	283	110.5	228	300	316
0.2x	381	270	111	216	285	300
0.21x	369.4	258	111.4	206	271	286
0.22x	359.9	248	111.9	197	259	273
0.23x	350.4	238	112.4	188	248	261
0.24x	340.9	228	112.9	180	238	250
0.25x	333.4	220	113.4	173	228	240