

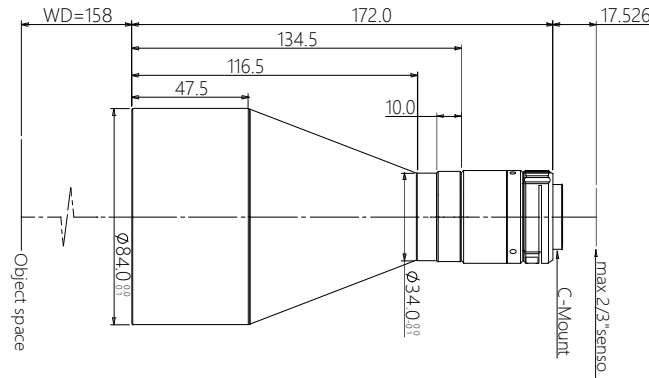


vision solution

# Specification

## SBS-SCJ158-0.178

High Resolution Double Telecentric Lens



### Features (SBS-SCJ series)

- \* Excellent double telecentric design for high resolution image result.
- \* Field of view is from 26mm to 300mm, suitable for most of application.
- \* Big Iris, low distortion, high parallel degree, big depth of view.
- \* Sensor size is available for 1/2.5" 1/2" 1/1.8" 2/3" 1" 4/3" 1.75" 2" Φ39 35mm full.

### Parameters

|                           |            |
|---------------------------|------------|
| FOV (Dia.mm)              | 64         |
| Mag.(x)                   | 0.178      |
| WD (mm)                   | 158±3      |
| Sensor size (Dia.mm)      | 11.4(2/3") |
| Image F#                  | 4.9        |
| Image MTF30(pl/mm)        | >180       |
| Object DOF (mm)           | ±13.9@F11  |
| Object distortion (%)     | <0.1       |
| Object telecentric degree | <0.1       |
| Object I/O(mm)            | 348±3      |

### Mechanical

|                   |       |
|-------------------|-------|
| Mount             | C     |
| Total length (mm) | 172.0 |
| N.W(KG)           | 0.8   |

### Field of View (mm x mm)

|                            |           |
|----------------------------|-----------|
| 1/1.8" EV76C570 (7.2x5.4)  | 40.4x30.3 |
| 1/1.7" IMX226 (7.5x5.6)    | 42.1x31.5 |
| 2/3" IMX250/264 (8.45x7.1) | 47.5x39.9 |