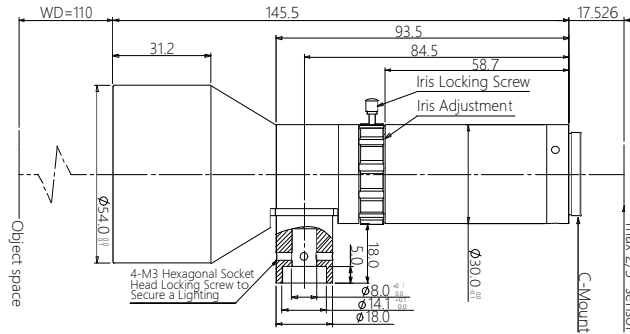




vision solution

# Specification

## SBS-SCP110-0.3-I High Performance DoubleTelecentric Lens



### Features (SBS-SCP series)

- \*SCP series is designed for line scan with big sensor size and high accuracy.
- \*Support 35mm full frame area scan camera.
- \*Extreme imaging aperture, extraordinary diffraction limited imaging resolution, match high resolution camera.
- \*Adjustable iris ring can be chosen.

### Parameters

FOV (Dia.mm)	37
Mag.(x)	0.300
WD (mm)	110±2
Sensor size (Dia.mm)	11.0(2/3")
Image F#	3.75
Image MTF30(pl/mm)	>220
Object DOF (mm)	±1.7@F3.75
Object distortion (%)	<0.1
Object telecentric degree	<0.1
Object I/O(mm)	273±2

### Mechanical

Mount	C	Field of View (mm x mm)	
Total length (mm)	145.5		
N.W(KG)	0.4	1/1.8" EV76C570 (7.2x5.4)	24.0x18.0
Iris adjust	Y	1/1.7" IMX226 (7.5x5.6)	25.0x18.7
Coaxial structure	Y	2/3" IMX250/264 (8.45x7.1)	28.2x23.7