

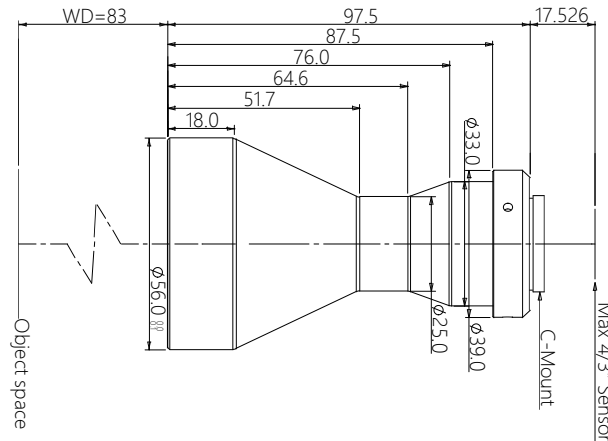


vision solution

Specification

SBS-SCP83-0.55

High Performance Double Telecentric Lens



Features (SBS-SCP series)

- *SCP series is designed for line scan with big sensor size and high accuracy.
- *Support 35mm full frame area scan camera.
- *Extreme imaging aperture, extraordinary diffraction limited imaging resolution, match high resolution camera.
- *Adjustable iris ring can be chosen.

Parameters

FOV (Dia.mm)	42
Mag.(x)	0.550
WD (mm)	83±1
Sensor size (Dia.mm)	23.0(4/3")
Image F#	8.0
Image MTF30(pl/mm)	>110
Object DOF (mm)	±1.1@F8.0
Object distortion (%)	<0.1
Object telecentric degree	<0.1
Object I/O(mm)	198±1

Mechanical

Mount	C	Field of View (mm x mm)	
Total length (mm)	97.5		
N.W(KG)	0.2	4/3" K EYENCE21M (17.86x14.32)	32.5x26.0
Iris adjust	N	4/3" PYTHON 12K (18.43x13.82)	33.5x25.1
Coaxial structure	N	4/3" CMV8000 (18.48x13.73)	33.6x25.0