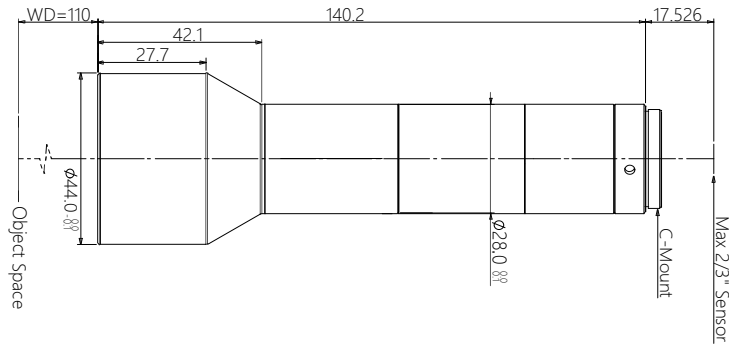




vision solution

# Specification

## SBS-YXDX110-0.4 Big Sensor Size Telecentric Lens



### Features (SBS-YXDX series)

- \* Large FOV with low magnification.
- \* Big working distance easy for illuminations and object allocation design.
- \* High accuracy, low distortion, high telecentricity.
- \* support up to 1.1" 12M class high-speed camera.

### Parameters

Mag.(x)	0.4
WD (mm)	110±2
Sensor size (Dia.mm)	11(2/3")
Image F#	7
Image MTF30(pl/mm)	>140
Object DOF (mm)	±1.8@F7
Object distortion (%)	<0.02
Object telecentric degree	<0.03

### Mechanical

Mount	C
Total length (mm)	140.2
Coaxial structure	N

### Field of View (mm x mm)

1/1.8" EV76C570 (7.2x5.4)	18.0x13.5
1/1.7" IMX226 (7.5x5.6)	18.8x14.0
2/3" IMX250/264 (8.45x7.1)	21.1x17.8