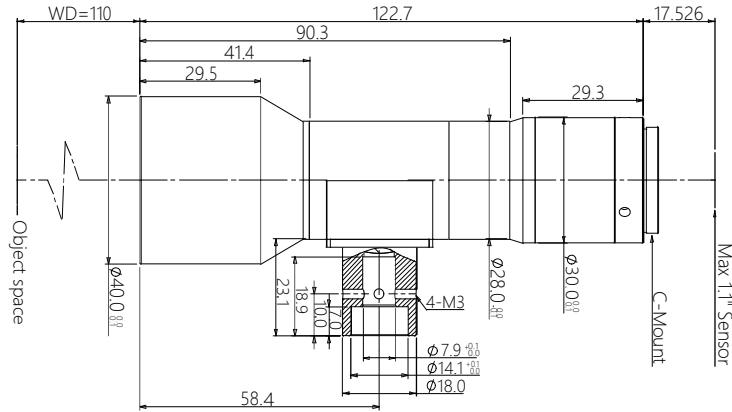




vision solution

# Specification

## SBS-YXDX110-0.8-I Big Sensor Size Telecentric Lens



### Features (SBS-YXDX series)

- \* Large FOV with low magnification.
- \* Big working distance easy for illuminations and object allocation design.
- \* High accuracy, low distortion, high telecentricity.
- \* support up to 1.1" 12M class high-speed camera.

### Parameters

Mag.(x)	0.8
WD (mm)	110±2
Sensor size (Dia.mm)	18.0(1.1")
Image F#	7.9
Image MTF30(pl/mm)	>85
Object DOF (mm)	±0.5@F7.9
Object distortion (%)	<0.1
Object telecentric degree	<0.1

### Mechanical

Mount	C
Total length (mm)	122.7
Coaxial structure	Y

### Field of View (mm x mm)

1" IMX183 (13.13x8.76)	16.4x11.0
1.1" IMX253 (14.19x10.38)	17.7x13.0